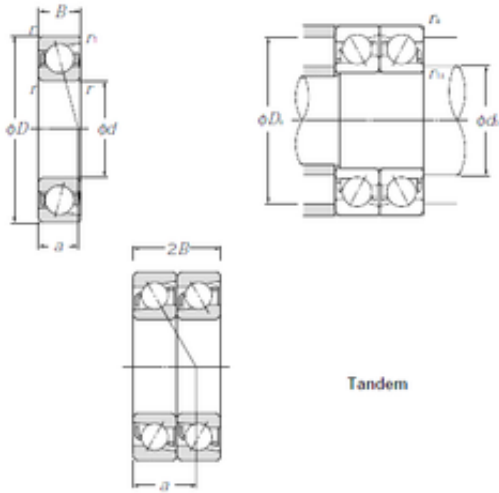




Accessories Production and Processing...



95 mm x 200 mm x 45 mm CYSD 7319DT
angular contact ball bearings

Bearing No. 7319DT

Size	95x200x45 mm
Bore Diameter	95 mm
Outer Diameter	200 mm
Width	45 mm
d	95 mm
D	200 mm
B	45 mm
C	45 mm
Angle (°)	25 °
r min.	3 mm
2B	90 mm
Weight	11,78 Kg
Basic dynamic load rating (C)	297 kN
Basic static load rating (C0)	325 kN
(Grease) Lubrication Speed	3000 r/min

7319DT Bearing 2D drawings and 3D CAD models