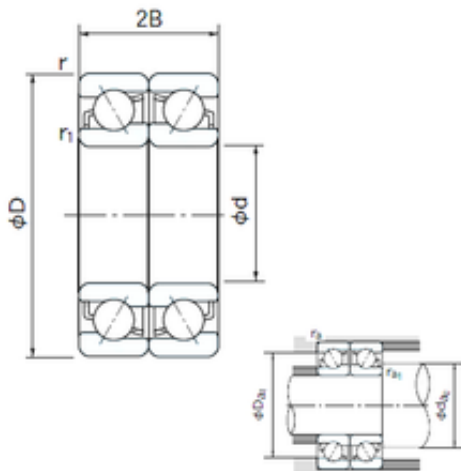




Accessories Production and Processing...



7319CDF Bearing 2D drawings and 3D CAD models

95 mm x 200 mm x 45 mm NACHI 7319CDF
angular contact ball bearings

Bearing No. 7319CDF

Size	95x200x45 mm
Bore Diameter	95 mm
Outer Diameter	200 mm
Width	45 mm
d	95 mm
D	200 mm
B	45 mm
C	45 mm
Angle (°)	15 °
a -	5.5 mm
r min.	3 mm
r1 min.	1.1 mm
2B	90 mm
da min.	109 mm
Da max.	193 mm
ra max.	1 mm
Weight	6.68 Kg
Basic dynamic load rating (C)	300 kN
Basic static load rating (C0)	320 kN
(Grease) Lubrication Speed	4300 r/min
Bore Type	Cylindrical Bore
Enclosure	Open
Configuration	Duplex
Bore Size	95 mm
Outside Diameter	200 mm



Accessories Production and Processing...

Width	45 mm
Fillet Radius/Chamfer	3 mm
r1	1.1 mm
Dynamic Load Rating	300,000 N
Static Load Rating	320,000 N
Limiting Speed - Grease	4,300 rpm
Limiting Speed - Oil	6,000 rpm
da1 (min)	109 mm
da2 (min)	109 mm
Da1 (max)	186 mm
Da2 (max)	193 mm
ra (max)	2.5 mm
ra1 (max)	1 mm