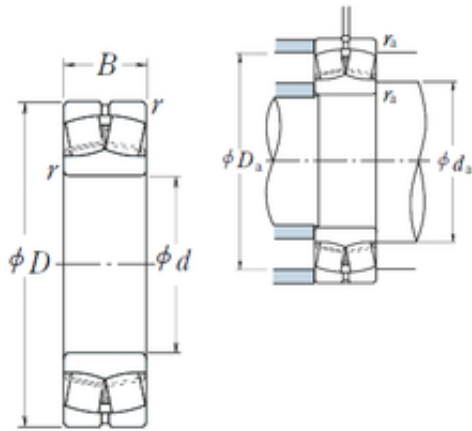




## Accessories Production and Processing...



110 mm x 200 mm x 53 mm NSK 22222EAE4 spherical roller bearings

Bearing No. 22222EAE4

22222EAE4 Bearing 2D drawings and 3D CAD models

Size	110x200x53 mm
Bore Diameter	110 mm
Outer Diameter	200 mm
Width	53 mm
d	110 mm
D	200 mm
B	53 mm
C	53 mm
r min.	2,1 mm
da min.	122 mm
da max	129 mm
Da min	178 mm
Da max.	188 mm
ra max.	2 mm
Weight	6,99 Kg
Basic dynamic load rating (C)	485 kN
Basic static load rating (C0)	645 kN
(Grease) Lubrication Speed	2200 r/min
(Oil) Lubrication Speed	2800 r/min
Calculation factor (e)	0,25
Calculation factor (Y0)	2,6
Calculation factor (Y2)	4
Category	Spherical Roller Bearings
Inventory	0.0
Manufacturer Name	NSK



## Accessories Production and Processing...

Minimum Buy Quantity	N/A
Weight / Kilogram	7.05
EAN	0029176411502
Product Group	B04311
Internal Clearance	C0-Medium
Mounting Method	Shaft Mount
Rolling Element	Spherical Roller Bearing
Bore Profile	Straight
Cage Material	Steel
Enclosure	Open
Number of Rows of Rollers	Double Row
Relubricatable	Yes
Withdrawal Sleeve	Not Applicable
Inch - Metric	Metric
Long Description	110MM Straight Bore; 200MM Outside Diameter; 53MM Width; C0-Medium Clearance; Shaft Mount; Double Row of Spherical Roller Bearings; Steel Cage Material; Open Enclosure; Relubricatable
Category	Spherical Roller Bearing
UNSPSC	31171510
Harmonized Tariff Code	84823080
Noun	Bearing
Keyword String	Spherical
Manufacturer URL	<a href="http://www.nskamericas.com">http://www.nskamericas.com</a>
Manufacturer Item Number	22222EAE4
Weight / LBS	7.05
Bore	4.331 Inch   110 Millimeter
Width	2.087 Inch   53 Millimeter
Outside Diameter	7.874 Inch   200 Millimeter
Adapter Part Number	Not Applicable Inch   Not



## Accessories Production and Processing...

	Applicable Millimeter
bore diameter:	110 mm
maximum rpm:	3200 RPM
outside diameter:	200 mm
operating temperature range:	Maximum of +200 ° C
overall width:	53 mm
cage material:	Steel
bore type:	Straight
bearing material:	Steel
outer ring type:	Not Split
cage type:	Roller Guided
internal clearance:	C0
precision rating:	RBEC 1 (ISO Class Normal)
closure type:	Open
finish/coating:	Uncoated
lubrication hole type:	Lubrication Groove & Hole
outer ring width:	53 mm
dynamic load capacity:	605000 N
fillet radius:	2.1 mm
static load capacity:	645000 N
series:	222
Y3	2.7
hidYobi	22222EAE4
LangID	1
Y1	2.7
D_	200
Y2	4
Macha rpm	3400
B_	53
da min	122
hidTable	ecat_NSSPHR



## Accessories Production and Processing...

Oil rpm	3200
Y0	2.6
mass	6.99
GRS rpm	2600
ra	2
TSR rpm	3400
C0	645
DE_	181.629
X0	1
Prod_Type3	SRB_CTB_CB
X1	1
X2	0.67
SIR	21.7
e	0.25
DA_	24.87
bomp	22222EAE4
Z_	18
ALP2	35
ALP1	9
ALP3	0
D_a max	188
D_a min	178
yobi	22222EAE4
HPS	HPS
ALPHA_	0.167
SDM_	157.106
r	2.1
KBRG	2328
SBRG	22
DI_	132.584