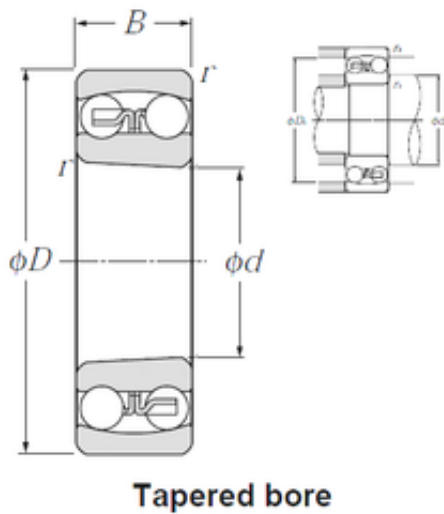




Accessories Production and Processing...



110 mm x 200 mm x 53 mm NTN 2222SK self aligning ball bearings

Bearing No. 2222SK

2222SK Bearing 2D drawings and 3D CAD models

Size	110x200x53 mm
Bore Diameter	110 mm
Outer Diameter	200 mm
Width	53 mm
d	110 mm
D	200 mm
B	53 mm
C	53 mm
r min.	2,1 mm
da min.	121 mm
Da max.	189 mm
ra max.	2 mm
Weight	6,64 Kg
Basic dynamic load rating (C)	122 kN
Basic static load rating (C0)	51,5 kN
(Grease) Lubrication Speed	2 800 r/min
(Oil) Lubrication Speed	3 400 r/min
Calculation factor (e)	0,28
Calculation factor (Y0)	2,3
Calculation factor (Y1)	2,2
B1	54 mm
rs min	2.1 mm
Associated sleeve reference	H322X
e	0.28
Y1	2.2



Accessories Production and Processing...

Y2	3.5
Y0	2.3
Radial clearance class	CN
Precision class	P0
Mass	6.64 kg
Dynamic load, C	122 kN
Static load, C0	51.5 kN
Nlim (oil)	3,400 rpm
Nlim (grease)	2,800 rpm
Min operating temperature, T _{min}	-20 ° C
Max operating temperature, T _{max}	120 ° C
da min	121 mm
da max	137 mm
db min	117 mm
Ce min	6 mm
Da max	189 mm
ra max	2 mm