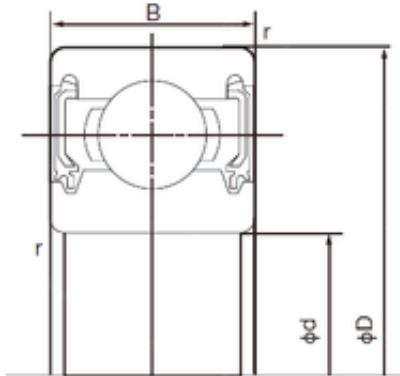




## Accessories Production and Processing...

10 mm x 30 mm x 9 mm NACHI 6200-2NKE  
deep groove ball bearings



Bearing No. 6200-2NKE

6200-2NKE Bearing 2D drawings and 3D CAD models

Size	10x30x9 mm
Bore Diameter	10 mm
Outer Diameter	30 mm
Width	9 mm
d	10 mm
D	30 mm
B	9 mm
C	9 mm
r min.	0.6 mm
da min.	15 mm
Da max.	25 mm
ra max.	0.6 mm
Weight	0.032 Kg
Basic dynamic load rating (C)	5,1 kN
Basic static load rating (C0)	2,39 kN
Category	Single Row Ball Bearings
Inventory	0.0
Manufacturer Name	NACHI
Minimum Buy Quantity	N/A
Weight / Kilogram	0
Product Group	B00308
Enclosure	2 Seals
Precision Class	ABEC 1   ISO P0
Maximum Capacity / Filling Slot	No



## Accessories Production and Processing...

Rolling Element	Ball Bearing
Snap Ring	No
Internal Special Features	No
Cage Material	Steel
Enclosure Type	Non-Contact Seal
Internal Clearance	C0-Medium
Inch - Metric	Metric
Long Description	10MM Bore; 30MM Outside Diameter; 9MM Outer Race Width; 2 Seals; Ball Bearing; ABEC 1   ISO P0; No Filling Slot; No Snap Ring; No Internal Special Features; C0-Medium Internal Clearance; Steel Cage; N
Other Features	Deep Groove   Labyrinth Seal
Category	Single Row Ball Bearing
UNSPSC	31171504
Harmonized Tariff Code	8482.10.50.68
Noun	Bearing
Keyword String	Ball
Manufacturer URL	<a href="http://www.nachiamerica.com">http://www.nachiamerica.com</a>
Weight / LBS	0.06834
Inner Race Width	0 Inch   0 Millimeter
Outer Race Width	0.354 Inch   9 Millimeter
Bore	0.394 Inch   10 Millimeter
Outside Diameter	1.181 Inch   30 Millimeter