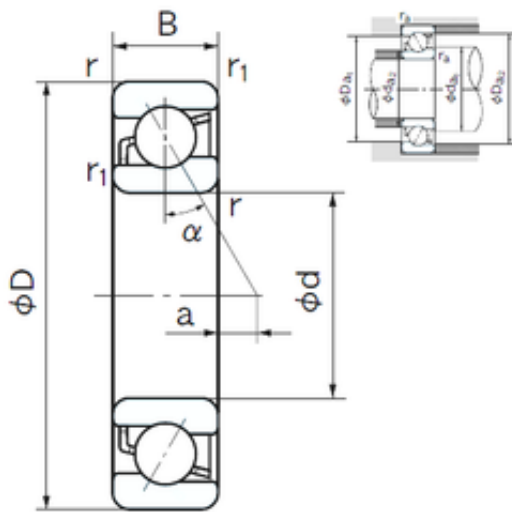




Accessories Production and Processing...



7200B Bearing 2D drawings and 3D CAD models

10 mm x 30 mm x 9 mm NACHI 7200B angular contact ball bearings

Bearing No. 7200B

| | |
|-------------------------------|-------------------------------|
| Size | 10x30x9 mm |
| Bore Diameter | 10 mm |
| Outer Diameter | 30 mm |
| Width | 9 mm |
| d | 10 mm |
| D | 30 mm |
| B | 9 mm |
| C | 9 mm |
| Angle (°) | 40 ° |
| a | 3.9 mm |
| r min. | 0.6 mm |
| r1 min. | 0.3 mm |
| da min. | 15 mm |
| Da max. | 25 mm |
| ra max. | 0.6 mm |
| Weight | 0.034 Kg |
| Basic dynamic load rating (C) | 5,15 kN |
| Basic static load rating (C0) | 2,57 kN |
| (Grease) Lubrication Speed | 19000 r/min |
| Category | Angular Contact Ball Bearings |
| Inventory | 0.0 |
| Manufacturer Name | NACHI |
| Minimum Buy Quantity | N/A |
| Weight / Kilogram | 0.032 |
| | |



Accessories Production and Processing...

| | |
|---------------------------------|---|
| EAN | 4991893835021 |
| Product Group | B00308 |
| Enclosure | Open |
| Flush Ground | No |
| Rolling Element | Ball Bearing |
| Number of Rows of Balls | Single Row |
| Precision Class | ABEC 1 ISO P0 |
| Maximum Capacity / Filling Slot | No |
| Snap Ring | No |
| Cage Material | Steel |
| Contact Angle | 40 Degree |
| Internal Clearance | C0-Medium |
| Number of Bearings | 1 (Single) |
| Inch - Metric | Metric |
| Long Description | 10MM Bore; 30MM Outside Diameter; 9MM Width; Open; No Flush Ground; Ball Bearing; Single Row of Balls; ABEC 1 ISO P0; No Filling Slot; No Snap Ring |
| Category | Angular Contact Ball Bearing |
| UNSPSC | 31171531 |
| Harmonized Tariff Code | 8482.10.50.28 |
| Noun | Bearing |
| Keyword String | Angular Contact |
| Manufacturer URL | http://www.nachi.com |
| Manufacturer Item Number | 7200 B BNLS |
| Weight / LBS | 0.07 |
| Outside Diameter | 1.181 Inch 30 Millimeter |
| Bore | 0.394 Inch 10 Millimeter |
| Width | 0.354 Inch 9 Millimeter |
| Configuration | Single Row |



Accessories Production and Processing...

| | |
|-------------------------|------------------|
| Bore Type | Cylindrical Bore |
| Bore Size | 10 mm |
| Fillet Radius/Chamfer | 0.6 mm |
| r1 | 0.3 mm |
| Dynamic Load Rating | 5,150 N |
| Static Load Rating | 2,570 N |
| Limiting Speed - Grease | 19,000 rpm |
| Limiting Speed - Oil | 28,000 rpm |
| da1 (min) | 15 mm |
| da2 (min) | 12 mm |
| Da1 (max) | 25 mm |
| Da2 (max) | 27.4 mm |
| ra (max) | 0.6 mm |
| ra1 (max) | 0.3 mm |