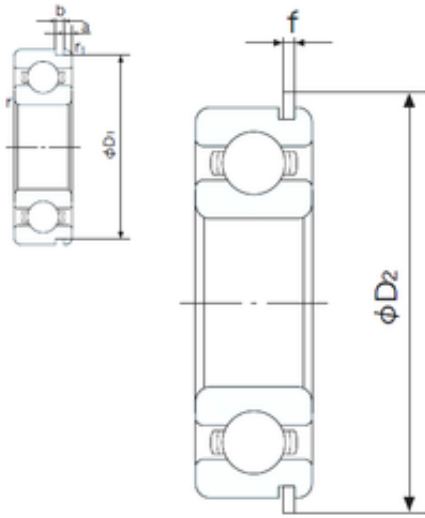




Accessories Production and Processing...



6200NR Bearing 2D drawings and 3D CAD models

10 mm x 30 mm x 9 mm NACHI 6200NR deep groove ball bearings

Bearing No. 6200NR

Size	10x30x9 mm
Bore Diameter	10 mm
Outer Diameter	30 mm
Width	9 mm
d	10 mm
D	30 mm
B	9 mm
C	9 mm
a	2.06 mm
b	1.35 mm
f	1.12 mm
r min.	0.6 mm
r1 min.	0.5 mm
D1	28.17 mm
D2	34.7 mm
Weight	0.032 Kg
Basic dynamic load rating (C)	5,1 kN
Basic static load rating (C0)	2,39 kN
(Grease) Lubrication Speed	24000 r/min
Bore Type	Cylindrical Bore
Configuration	Single Row
Enclosure	Snap Ring Groove with Snap Ring
Bore Size	10 mm
Outside Diameter	30 mm



Accessories Production and Processing...

Width	9 mm
Fillet Radius/Chamfer	0.6 mm
r1	0.5 mm
Snap Ring Width	1.1 mm
Snap Ring Outside Diameter	34.7 mm
D1 (max)	28.2 mm
a (max)	2.1 mm
b (min)	1.4 mm
Dynamic Load Rating	5,100 N
Static Load Rating	2,390 N
Limiting Speed - Grease	25,000 rpm
Limiting Speed - Oil	30,000 rpm
Factor fo	13.2
Radial Clearance	0.002 to 0.013 mm
da (min)	15 mm
Da (max)	25 mm
Dx (min)	35.5 mm
ra (max)	0.6 mm
Cy (max)	2.9 mm