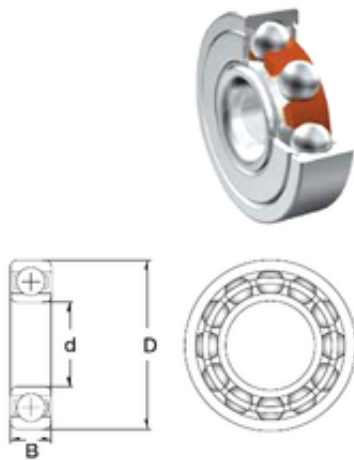




## Accessories Production and Processing...



10 mm x 30 mm x 9 mm ZEN 6200-2Z.T9H.C3  
deep groove ball bearings

Bearing No. 6200-2Z.T9H.C3

Size	10x30x9 mm
Bore Diameter	10 mm
Outer Diameter	30 mm
Width	9 mm
d	10 mm
D	30 mm
B	9 mm
C	9 mm
Weight	0,032 Kg
Basic dynamic load rating (C)	5,1 kN
Basic static load rating (C0)	2,39 kN

6200-2Z.T9H.C3 Bearing 2D drawings and 3D CAD models