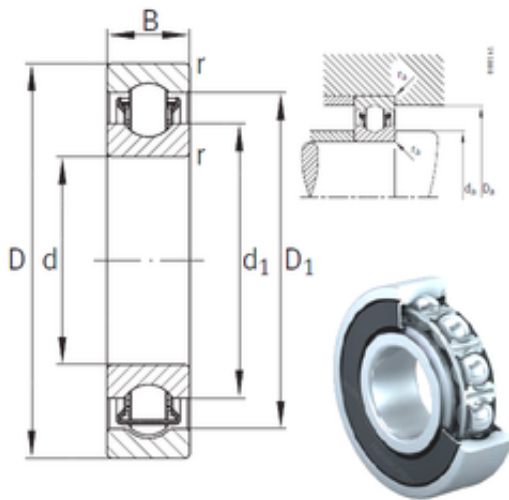




Accessories Production and Processing...



BXRE200-2HRS Bearing 2D drawings and 3D CAD models

10 mm x 30 mm x 9 mm INA BXRE200-2HRS
needle roller bearings

Bearing No. BXRE200-2HRS

Size	10x30x9 mm
Bore Diameter	10 mm
Outer Diameter	30 mm
Width	9 mm
d	10 mm
D	30 mm
B	9 mm
C	9 mm
d1	17 mm
r min.	0,6 mm
D1	23,9 mm
da min.	14,2 mm
Da max.	25,8 mm
ra max.	0,6 mm
Weight	0,033 Kg
Basic dynamic load rating (C)	9,1 kN
Basic static load rating (C0)	4,45 kN
Fatigue load limit (Pu)	226